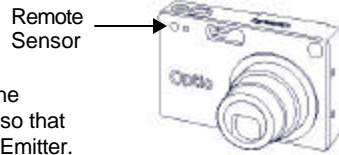
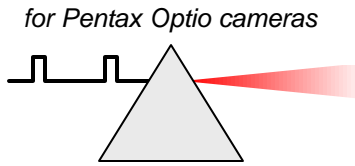
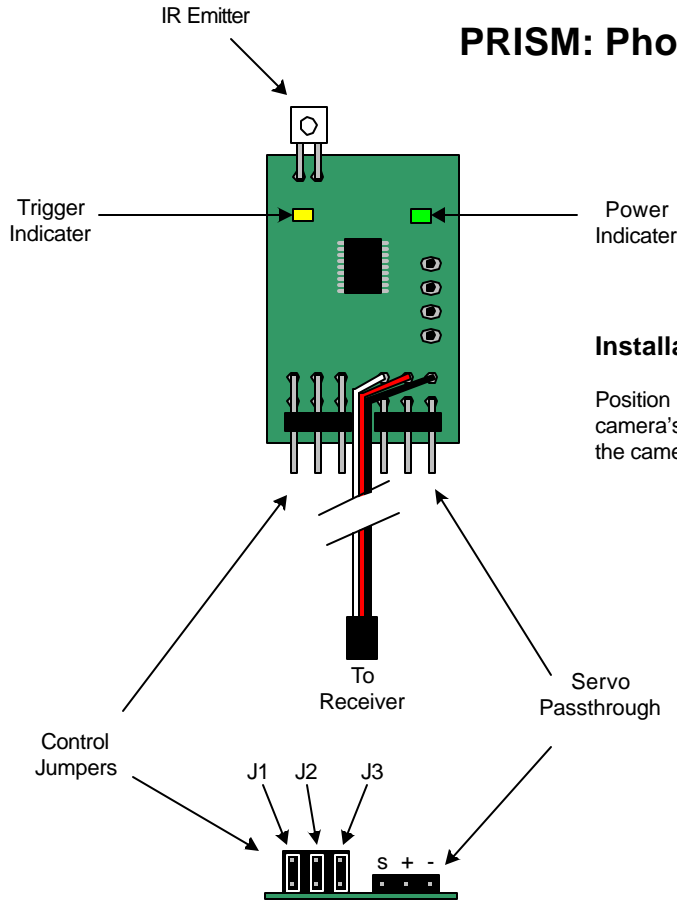
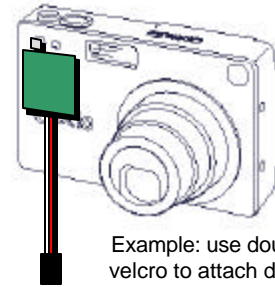
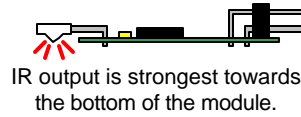


PRISM: Photography Radio-Infrared Shutter Module

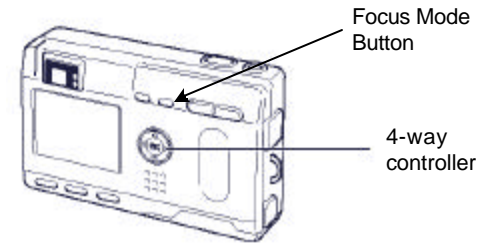


Installation:

Position module on or near the camera's IR remote sensor, so that the camera can "see" the IR Emitter.



Example: use double stick tape or velcro to attach directly to camera body with IR LED in front of remote sensor.



Operation:

- 1) For photo operation, remove all jumpers. To program the options, install J1.
- 2) Plug module's 3-pin connector into desired channel on the aircraft receiver.

3) **Photo operation:** Move the transmitter stick in one direction for shutter, the other direction for zoom. If the direction of the stick is reversed from the required direction, reprogram option 1. The yellow LED should blink to indicate successful trigger operation. For zoom, moving the stick quickly in the zoom direction and back to center from 1 - 3 times to set the zoom level as shown in Table 3. This requires that the camera be zoomed out fully at startup. For stick controlled timed operation, move the stick/switch one direction to enable, the other direction to disable.

4) **Configuring:** To configure the camera, install a jumper on J1, then apply power. Remove J1, and touch J2 to select the options. The LED will blink a number of times to indicate which option is selected, pause, then blink a number of times to indicate the current value. Touch the jumper on J3 to change the value. Each time the LED will blink the new value. Once configured, remove all jumpers and reapply power to operate in normal mode.

- 5) Set camera for remote operation.

To set the camera for remote use, press the 4-way controller upwards until the remote symbol is displayed:



Note: If you are using Manual Focus, pressing the 4-way controller will change the focus. You must first set to another focus mode, set for remote, then set for Manual Focus.

Table 3

Stick Moves	Function
1	Zoom Out
2	Zoom In
3	Zoom Middle

Table 1

J1	Function
Off	Normal Mode
On	Configure Mode

Table 2

#	Option	Settings
1	Reverse	1 = normal, 2 = reverse
2	Zoom	1 = off, 2 = on
3	Shutter	1 = off, 2 = on
4	Timed Shutter	1 = off, 2 = on, 3 = switched
5	Time Interval	1 = 2s, 2 = 3s, 3 = 5s, 4 = 7s, 5 = 10s, 6 = 30s

Specifications:

Dimensions: 0.75" x 1.375" x 0.3"
 Weight: 4g
 Input voltage: 4v - 15v
 Current: 20mA
 Temperature: -40°C - 85°C

Support:

prism@hexpertsystems.com
<http://www.hexpertsystems.com/prism>